

## CARE & MAINTENANCE

There is very little care and maintenance needed. Following these instructions will improve the longevity and quality of cooking. To ensure safe operation of your spit, the area of cooking should always be kept free of combustible materials of any type, such as gasoline or other flammable vapors or liquids.

1. Outside of body- This is stainless steel. It can be cleaned easily with warm soapy water or any stainless steel cleaner.
2. The drip pan must be kept clean and free of heavy buildup for spit to perform properly and to eliminate flare-ups. Drip pan should not be washed completely clean.

Inside spit- Use warm soapy water to clean this area. Do not allow grease to build up.

Drain hole pipe must be kept clear of grease and food particles to allow grease to drain properly

3. from drip pan. This must be done to maintain proper operation of your spit.

General- This spit, like all equipment, will look better and last longer if kept out of weather when not in use. Caution: Do not store propane cylinders in enclosed space. When using a cover or moving

4. the spit, always wait until the spit has cooled for at least 30 minutes.

Check to be sure all openings into spit body are free of blockages or debris. Make sure there are no objects or materials blocking the flow of combustion or ventilation.

When spit is not in use, turn regulator knob to off, remove propane cylinder from regulator and remove regulator from burner.

For outdoor use only, if stored indoors, detach cylinder and leave it outdoors.

Cylinders must be stored out of reach of children.

Check burner air inlet openings (behind inlet guard on right end of body) for insect nests or blockages. Make sure the slots in burner tube are open.

### Important

First-time use. It is important that the spit be lit and allowed to operate at least 30 minutes before any food is placed on the spit shaft. Some smoke may appear during the initial operation of the spit. This is normal. These are the preservatives used during manufacturing. After initial heating, spit is ready for use.

THIS COOKING APPLIANCE IS FOR OUTDOOR USE ONLY AND SHALL NOT BE USED IN A BUILDING, GARAGE OR ANY OTHER ENCLOSED AREA.

### MOVING INSTRUCTIONS

Caution: Never move the spit with burner lit!

Transporting spit: Make sure gas control is off. Disconnect propane cylinder from regulator. Remove regulator from spit. Be sure spit has completely cooled (for at least 30 minutes.) Close door. Use handles at each end of main body to move spit if required.

If you need service and any necessary replacement parts. Please contact:

FISHING NEW ZEALAND LIMITED

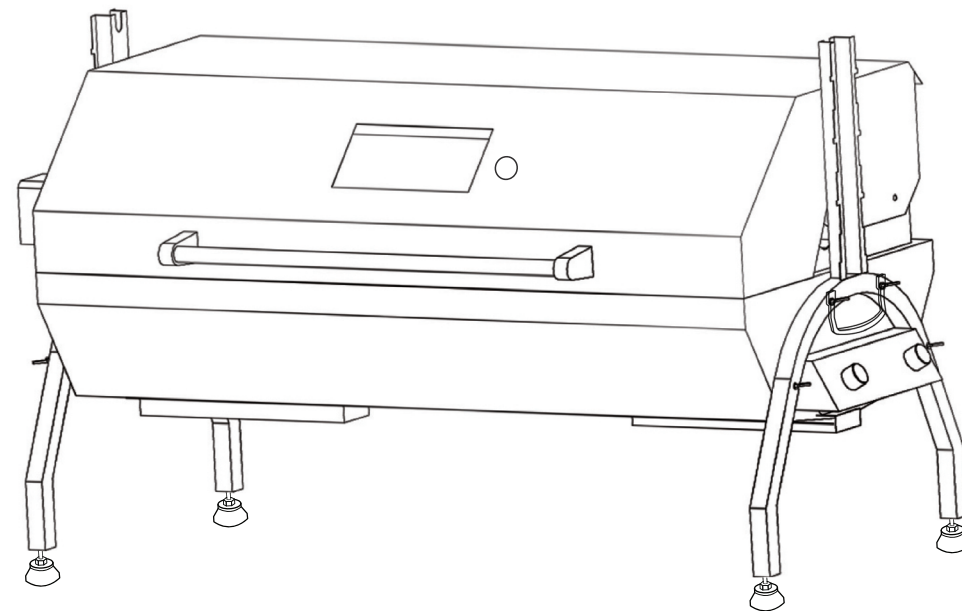
160 FOUNDRY RD. SILVERDALE. AUCKLAND 0993 NEW ZEALAND

PH 0800 866554

FAX 0800 866557

# Kiwi Sizzler

## ASSEMBLY & OPERATING INSTRUCTIONS FOR ROTISSERIE SPIT



FOR MODEL KSSPIT

# SAFETY INSTRUCTIONS

Read carefully before assembling and operating your gas spit.

## THE LOCATION FOR YOUR SPIT

Do not use your gas spit in garages, porches, breezeways, sheds or other enclosed areas. Your gas spit is to be used outdoor only, at least 21" from the back and side of any combustible surface. The spit should not be placed under any surface that will burn. Do not obstruct the flow of combustion and ventilation air around the spit housing.



**DANGER**

### If you smell gas:

1. Shut off gas to the spit.
2. Extinguish any open flame.
3. Open the lid.
4. Perform a simple leak test. Spray a solution of water mixed with some detergent on the connection from the appliance to the gas cylinder. Turn the gas on at the gas cylinder but do not turn the appliance on. If there is a leak bubbles will appear. Never use a naked flame to test leaks.
5. Shut off gas to the spit.
6. If leaks are found or odour continues, do not use the spit and return to the retailer from which you purchased the unit.

### For your safety

1. Do not store or use gasoline or other flammable vapors and liquids in the vicinity of this or any other appliance.
2. When cooking with oil/grease, do not allow the oil/grease to exceed 350F(176.5C). Do not store or use extra cooking oil in the vicinity of this or any other appliance.
3. An LP cylinder not connected for use shall not be stored in the vicinity of this or any other appliance.

### The Fuel System

Gas appliances are used safely by millions of people when following simple safety precautions.

The items in the fuel system are designed for operation with the large gas spit. They must not be replaced with any other brand. (See parts list for replacement items).

# TROUBLE SHOOTING



## SPIDER AND INSECT WARNING

Spiders and insects can nest in the burner of the spit and cause the gas to flow from the front of the burner. This is a very dangerous condition, which can cause a fire to occur, thereby damaging the spit and making it unsafe to operate.

## WHEN TO LOOK FOR SPIDERS

You should inspect the burners at least once a year or immediately after any of the following conditions occur:

1. The smell of gas is present in conjunction with the burner flames appearing yellow.
2. The spit does not reach temperature.
3. The spit heats unevenly.
4. The burners make popping noises.

## BEFORE CALLING FOR SERVICE

If the spit does not function properly. Use the following checklist before contacting your dealer for service.

# CHECKLIST

## PROBLEMS

Spit won't light when the control knob is turned to on.

Low heat with knob in "HI" position.

## WHAT TO DO

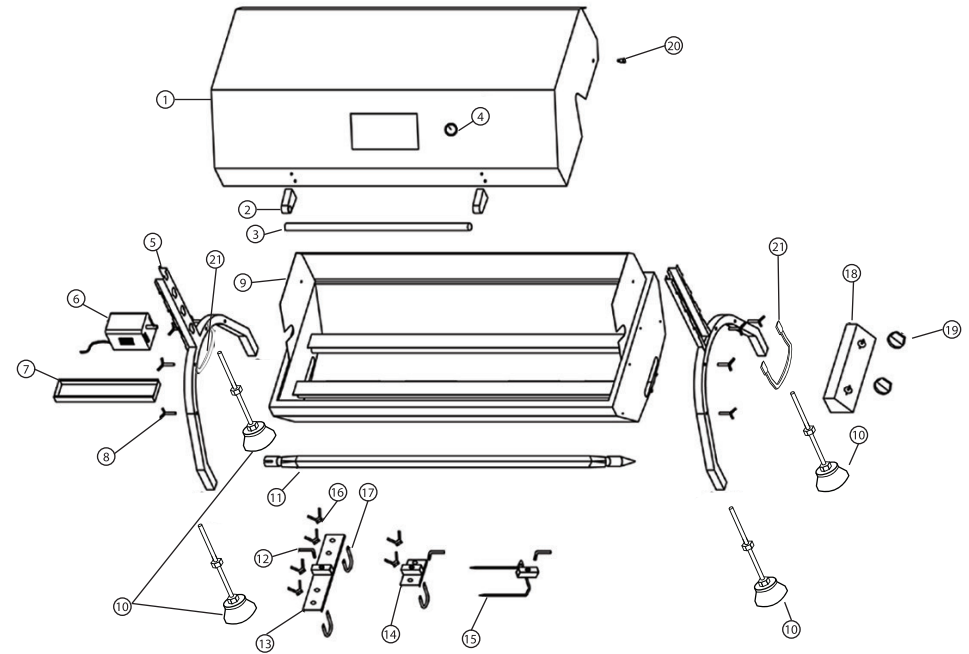
Check to see if the tank is empty.  
Check burner ports for any blockage. Use soft wire brush to clear plugged ports.  
Check the gas orifice on the malfunctioning burner for an obstruction.  
If orifice is blocked, clean it with a needle or a thin wire.  
**NEVER USE A WOODEN PICK**

Is the fuel hose bent or kinked ?  
Is the grill in a dusty area?  
Is there adequate gas supply available?  
Does the orifice or burner need cleaning?  
Is the gas supply or gas pressure low?  
Is the spit being preheated for 15 minutes?

# COOKING INSTRUCTIONS

1. Allow spit to warm up with lid closed for 20-30 minutes prior to cooking.
2. You may cook on the spit in any weather. If the temperature is extremely cold or hot, it will slightly decrease or increase your cooking time. Keep spit out of reach of excessive winds when operating, as it may increase cooking time.

## ILLUSTRATED PARTS BREAKDOWN MODEL ROTISSERIE SPIT



REF.	DESCRIPTION	SPECIFICATION	QTY	REF.	DESCRIPTION	SPECIFICATION	QTY
1	Top	SUS201	1	11	Shaft	SUS304	1
2	Handle Brackets	Zinc Alloy	2	12	"L" Screw	SUS304	3
3	Handle Bar	SUS201	1	13	Double Shank Plate	SUS201	1
4	Thermometer	400°F	1	14	Single Neck Plate	SUS201	1
5	Leg Brackets	SUS201	2	15	Prong	SUS304	1
6	Motor	220V/50Hz	1	16	Butterfly Nut	SUS304	6
7	Drip Trays	SUS201	2	17	"U" Bolt	SUS304	3
8	Butter Screw	SUS201	8	18	Control Board	SUS201	1
9	The Body	SUS201	1	19	Knob	Plastic	2
10	Adjustable Feet	SUS304	4	20	Hinge	SUS201	2
				21	Side Handle	SUS201	2

<b>MAKE</b>	<b>Kiwi Sizzler</b>
Model	KSSPIT
Gas Type	UNIVERSAL LPG
Burner Pressure	2.75kPa
Gas Input Rate	38MJ/h
Orifice Size	1.25mm
Importer	Fishing New Zealand Ltd. PO Box 301026 Albany 0752 Auckland
Certificate No.	AGA 8292 G

## LIGHTING INSTRUCTIONS

Read instruction before lighting.  
 Be sure that the fuel tank is turned off.  
 Check all connections for leakage.  
 Check the burner for blockage.  
 Be sure the control knob is in the "OFF" position.

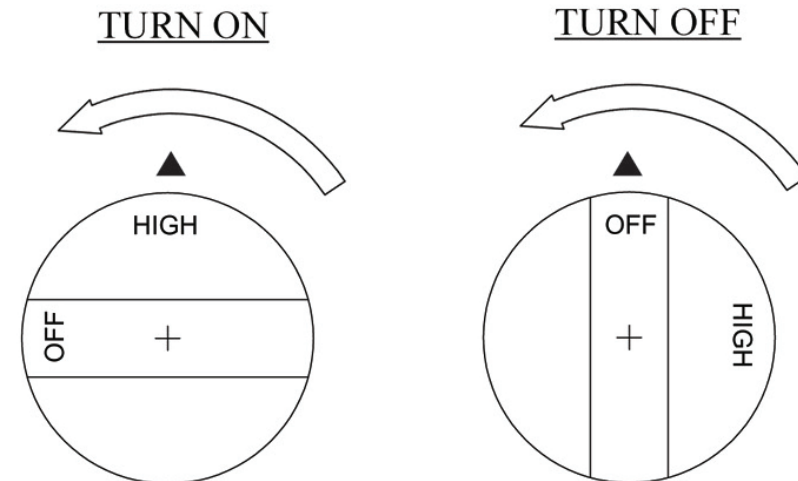
### Lighting

Open the LP fuel cylinder valve.

Turn the burner knobs according to your requirements as below.(Independent Right/Left switch knobs control the right/left burners tube separately.)

Push in and turn the control knob to "HIGH" position till you hear it click.  
 If appliance fails to light, turn the control knobs to "OFF" position immediately, wait 5 seconds to clear any possible gas build up, then repeat lighting procedure.

After use it, make sure control knob is turned to "OFF" position.  
 Disconnect the gas supply when leaving for long periods of time.



Note: If the right burner is needed, turn the right switch knob,  
 If the left burner is needed, turn the left switch knob,  
 If both are needed, turn both switch knobs separately.



## WARNING

FAILURE TO FOLLOW THESE INSTRUCTIONS MAY RESULT IN AN EXPLOSION OR FIRE THAT MAY CAUSE PROPERTY DAMAGE, SERIOUS INJURY OR DEATH

1. Move appliance to an open area.
2. Make sure tank valve is in its full OFF position. (Turn clockwise to stop)
3. Make sure all burner valves are in their OFF positions.
4. Inspect valve connection port and regulator assembly. Look for any damage or debris. Remove any debris. Inspect hose for damage.
5. Connect regulator assembly to the LP tank.
6. Keep hose away from any source of heat.
7. Open tank valve fully(counter clockwise). Use a soapy water solution to check all connections for leaks before attempting to light the burner of the appliance. If a leak is found, turn off tank valve and do not use appliance until your local LPG as Dealer can make repairs.

**DO NOT ATTEMPT TO MAKE REPAIRS YOURSELF.**

Note: Outdoor appliance must be used with an LP Gas cylinder equipped with an Overfilling Prevention Device (O.P.D)

## DO NOT REMOVE THIS TAG

Never attempt to use damaged or plugged equipment see your local LP Gas Dealer for repairs.



## WARNING









If any fault occurs, please contact the distributor or qualified maintenance personnel for service rather than attempt to disassemble the appliance yourself.

This appliance should only be used in an above ground open-air situation with natural ventilation, without stagnant areas, where gas leakage and by-products of the combustion are rapidly dispersed by wind into open air.

Any enclosure in which the appliance is used shall comply with one of the following: An enclosure with walls on all sides, but at least one permanent opening at ground level and no overhead cover. Within a partial enclosure that includes an overhead cover and no more than two walls, the following shall apply- a) at least 25% of the total wall area must completely open; and b) at least 30% of the remaining wall area is open and unrestricted. In the case of balconies, at least 20% of the total of the side, back and front wall areas shall be and remain open and unrestricted.

# ASSEMBLY INSTRUCTIONS

## List

Items	QTY.
 Handle Base	2
 M6×15 Screw	4
 Φ6 Spring Washer	4
 Φ6 Flat Washer	4
 M8×40 Thumbscrew	6
 Handle	1
 Supporting Feet	2
 Adjustable Feet	4
 Handle	2
 Motor	1
 Drip Tray	2
 Spit Shaft	1

RE: Requires wrench and screwdriver when assembling the appliance [ not included ]

## What is ULPG

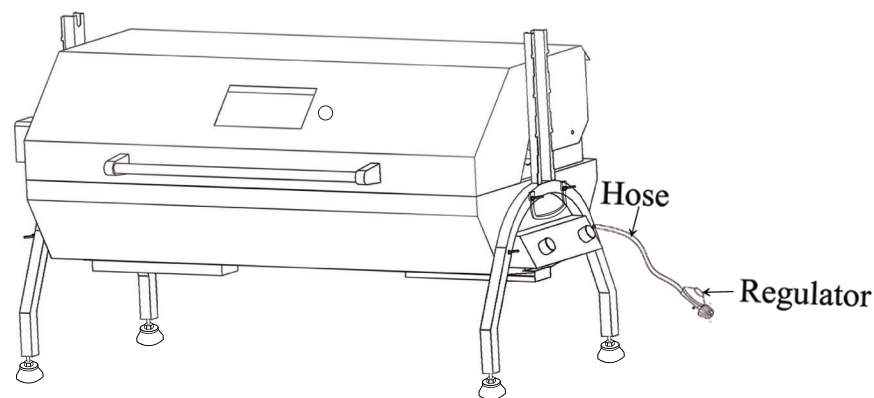
It is gas fuel compressed till it turns to liquid, then stored in a bottle or cylinder under pressure. for easy transport. Color code for ULPG is signal red.

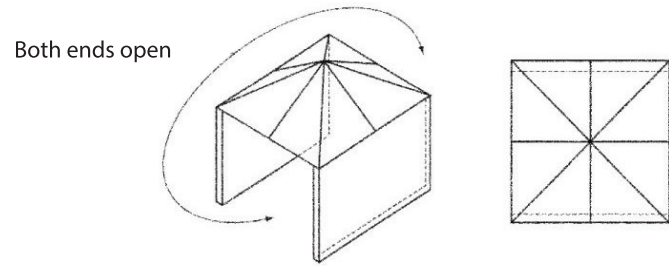
## How do I connect the appliance to the cylinder?

This appliance includes a hose and regulator. This regulator is a device attached to the hose to reduce gas pressure. The data plate on this appliance indicate the correct pressure "Burner pressure: 2.75kpa".

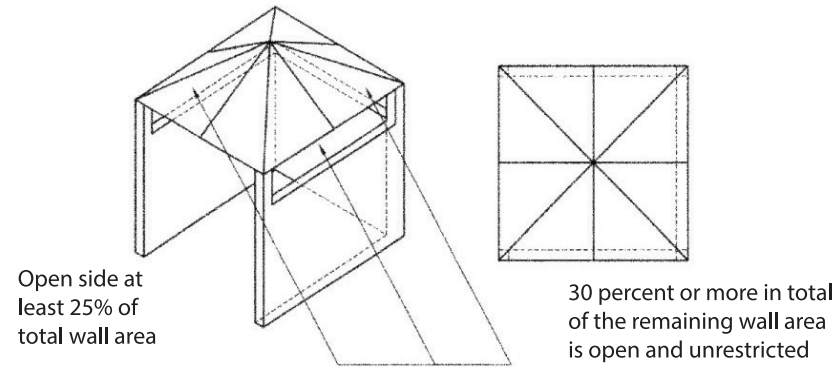
## Follow the manufacturer's instructions carefully when making the connection. In particular,note the following:

1. Before connection,inspect the hose, its fittings and rubber seals. If there is any sign of cracking splitting or wear, have the hose replaced. Ensure the regulator has been connected to appliance properly.
2. Make sure all connections are tightened firmly with a spanner.
3. Once the connections are made do this simple leak test. Spray a solution of water mixed with some detergent on the connection from the appliance to the gas cylinder. Turn the gas on at the gas cylinder, but do not turn the appliance on. If there is a leak bubbles will appear. Never use a naked flame to test leaks.
4. While in use keep the hose unobstructed, and free of kinks.

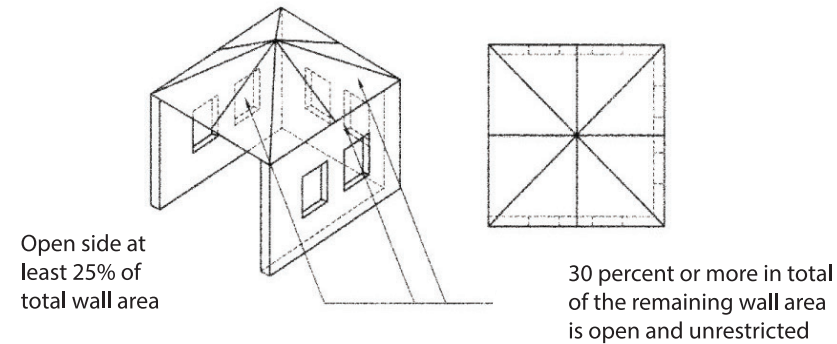




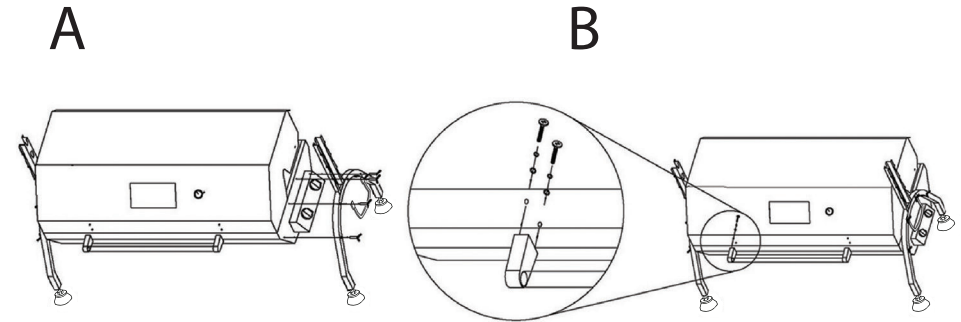
**FIGURE F3 OUTDOOR AREA-EXAMPLE 3**



**FIGURE F4 OUTDOOR AREA-EXAMPLE 4**



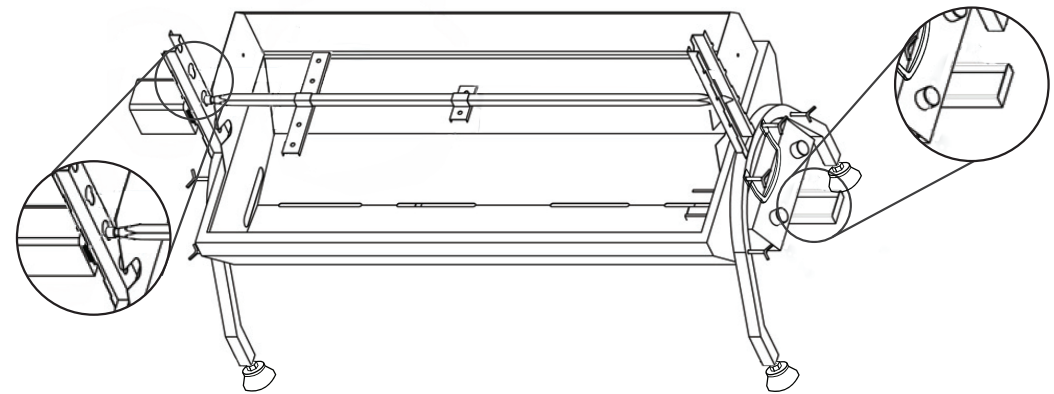
**FIGURE F5 OUTDOOR AREA-EXAMPLE 5**



Use 3pcs M8 40 thumbscrew to fix the supporting feet on the unit, and same way to another side

Use 2pcs M6 15 screw, spring washer, flat washer to fix the handle base on the upper lid. Then put stainless steel handle into the installed handle base, and same way to the other side.

## HANDLE FITTING INSTRUCTIONS



**C**

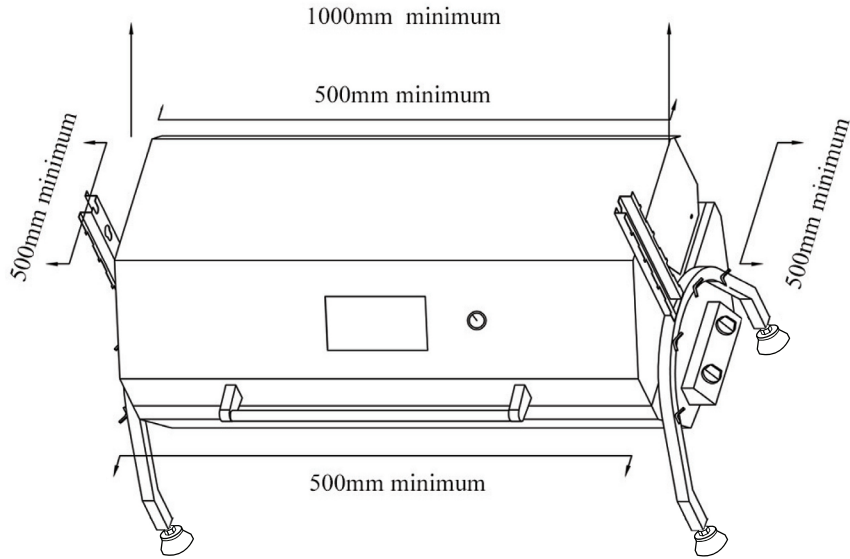
Step 1: For cooking insert the shaft into the bottom slots. For carving when cooked move the shaft to the top slots.  
 Step 2: Fix the meat holders to the rotisserie shaft.  
 Step 3: Connect the slotted end of the shaft to the motor.

**D**

Insert 2pcs drip trays into lead rail separately at the bottom of spit body

# IMPORTANT

The spit must not be used under or on any combustible material. Minimum clearance from any combustible material of the spit is 500mm, and 1000mm above the spit.

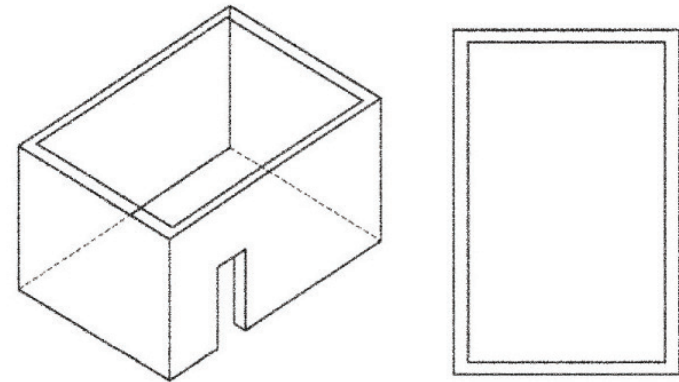


# APPENDIX F

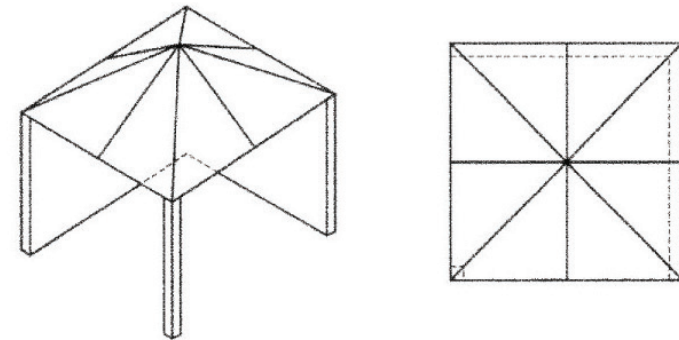
## DIAGRAMMATICAL REPRESENTATIONS OF OUTDOOR AREAS

(Informative)

The following figures are diagrammatical representations of outdoor areas as described in the definition Clause 1.2.46. The areas used in these figure are examples-the same principles apply to any other shaped area.



**FIGURE F1 OUTDOOR AREA-EXAMPLE 1**



**FIGURE F2 OUTDOOR AREA-EXAMPLE 2**